

Bischoff & Bischoff

Instruction manual

Warranty certificate

(Please note our general business terms and conditions)

Model: Haiti wall-mounted shower stool

Serial number:*

(Please note our general business terms and conditions)

Dealer:

Date and stamp

Haiti



Bischoff & Bischoff GmbH

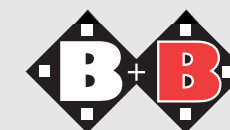
Becker-Goering-Strasse 13 • D-76307 Karlsbad

Tel.: +49 72 48/92 09-2 • Fax: +49 72 48/92 09-3

www.bischoff-bischoff.com

international@bischoff-bischoff.com

Enjoy mobility.



Haiti

(wall-mounted shower stool)

Dear customer,

with the purchase of this B+B shower stool you are now the owner of a high-quality German product that will make home care much easier. This instruction manual will familiarise you with the use and maintenance of your B + B shower stool and make your life safer.

We hope you enjoy your new product!

1. Declaration of Conformity

B+B as the manufacturer of the product declares that the Trinidad shower stool fully conforms to the requirements of Directive 93/42/EEC.

2. Information on using the product

The Haiti wall-mounted shower stool is designed exclusively for use while showering.

3. Purpose - indications

Poor balance and inability to stand with reduced use of lower extremities (e.g. loss of strength with malignant diseases, chronic, advanced cardiovascular disease and lung diseases) combined with weakness in moving.

4. Caution - safety instructions - Risk analysis as per DIN EN ISO 13485

- An assistant is required for entering and leaving the seat
- Set both feet to the same height.
- Make sure that the locking knobs are correctly seated
- When the seat is permanently fastened to the frame beware of the danger of becoming jammed.
- Seat is designed for sitting only

When folding the seat hold the side frame, not the seat itself.



- Mounting plate
- Instruction Manual
- Locking clamp
- Handle bar
- Seat frame
- Fastener set
- Seat

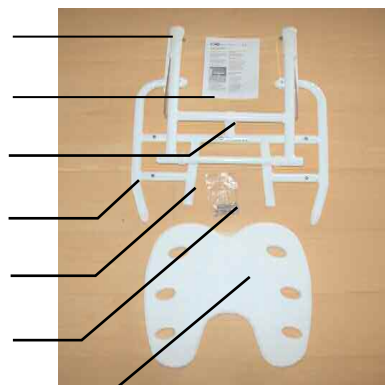


Fig. 1

5. Installing the wall-mounted shower stool

First adjust the feet of the seat to the correct height. The seat is unfolded and the mounting plates are fixed to the wall so the seat of the Haiti is horizontal when unfolded.

Mark the holes in the mounting plates on the wall, drill the holes and attach the plates to the wall with wall plugs and screws.

Attention: set the desired seat height first (item 7).

The installer must select the wall anchors depending on the type of wall.

Remove the handles from the seat frame installing the mounting plates.

Remove them by unscrewing the 15 mm sheetmetal screws (see Fig. 2) under the frame and remove the locking clamps (see Fig. 3).

During installation make sure that the seat area does not tilt forward or slightly back (to 2°) (to prevent slipping forward).

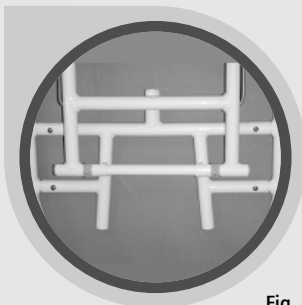


Fig. 2

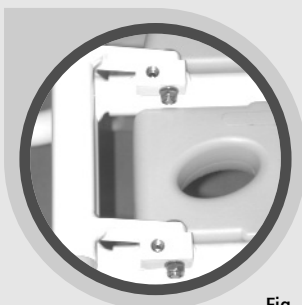


Fig. 3

6. Installing the seat

The seat is locked to the seat frame by pressing it down forcefully (see Fig. 5).

If it is necessary to remove the seat to allow the folding seat to be cleaned, hold the seat by the bar and pull the seat upwards (see Fig. 6).

Attention: the seat must be folded when the seat is removed.

7. Adjusting the height of the seat

The two feet are height-adjustable (adjustment range 10 cm, 5x).

Pull the locking clamp out and set the leg to the desired position.

When the desired height has been set, replace the locking clamp in the corresponding hole (see Fig. 7 and 8)

Attention: both feet must be set to the same height.



Fig. 4



Fig. 5



Fig. 6

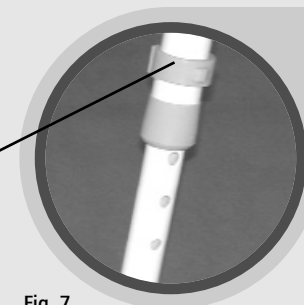


Fig. 7

Locking clamp



Fig. 8

8. Cleaning and disinfecting the wall-mounted shower stool

Clean and disinfect the seat with standard cleaners and disinfectants only.

9. Installing the retainers

The retainers are premounted on the seat frame (Fig. 8).

10. Folding to the wall

To lock the folded seat to the wall it is locked to the retainer with the foot frame.

11. Technical data

- Max. load capacity: 120 kg
- W/H/D (in mm): 495/455-555/475
- Weight: 4.9 kg.
- Seat height: 455-555 mm 5x by clip
- Seat width/depth: 400/400 mm
- Heat resistance: up to 125°C
- Colour: blue or white

12. Adjustment and repair tools

- 1 x Philips screwdriver
- 1 x Allen key no. 5

13. Fastening

- 4 x sheetmetal screws 5 x 60

14. Marking of the product

An identification sticker is attached to the frame of the product with the product identification/serial number/max. user weight/ company address.

15. Warranty

A warranty claim can only be accepted if the product is used under the specified conditions and for the specified purposes. The product must be returned in the original packaging.

16. Standard equipment

- 1 x Haiti framework (assembled)
- 1 x seat
- 4 x sheetmetal screws 5 x 60