

Bischoff & Bischoff

Instruction manual

Warranty certificate

(Please note our general business terms and conditions)

Model: Barbados hanging seat

Serial number:*

(Please note our general business terms and conditions)

Dealer:

Date and stamp

Barbados



Bischoff & Bischoff GmbH

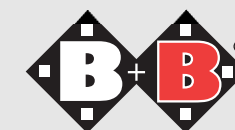
Becker-Goering-Strasse 13 • D-76307 Karlsbad

Tel.: +49 72 48/92 09-2 • Fax: +49 72 48/92 09-3

www.bischoff-bischoff.com

international@bischoff-bischoff.com

Enjoy mobility.



Barbados hanging seat (with seat back)

Dear customer,

with the purchase of this B+B shower stool you are now the owner of a high-quality German product that will make home care much easier. This instruction manual will familiarise you with the use and maintenance of your B+B shower stool and make your life safer. We hope you enjoy your new product.

1. Declaration of Conformity

B+B as the manufacturer of the product declares that the Barbados hanging seat fully complies with Directive 93/42/EEC

2. Information on using the product

The Barbados hanging seat is designed exclusively for use while seated in a bath tub for washing.

3. Purpose - indications

Significantly reduced function and lack of function of the lower extremities (e.g. amputations, paralysis, joint diseases, neuromuscular diseases), consequences of chronic disease with reduced strength in the lower and upper extremities.

4. Caution - safety instructions - Risk analysis as per DIN EN ISO 13485

- An assistant is required for entering and leaving the seat
- When the seat is permanently fastened to the frame beware of the danger of becoming jammed.
- Seat is designed for sitting only
- Make sure that the side sections are securely fastened to the inside of the bath tub and cannot slip.



5. Use

The Barbados hanging seat is suspended in the bath tub so the antislip feet are on the edges of the bath tub.

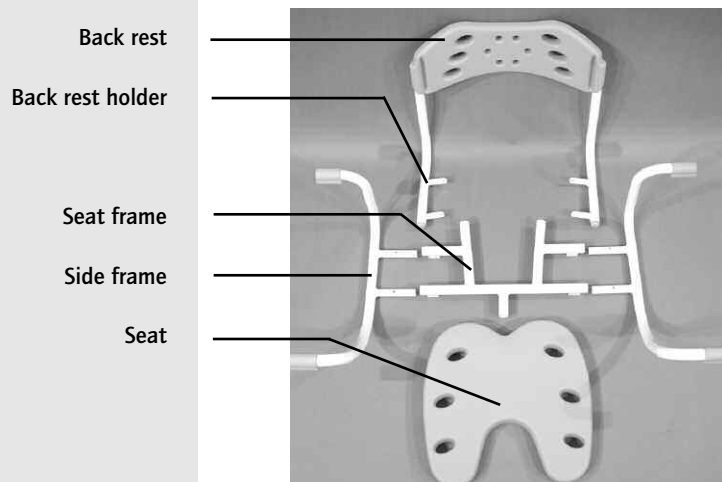


Fig. 1

6. Assembly and installation

Insert sides into seat frame and fasten from below with the threaded pins (see Fig. 2). Fasten seat frame with back rest holder with M5 x 35 screw and self-locking M5 nut (see Fig. 3).

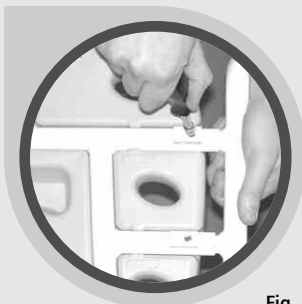


Fig. 2

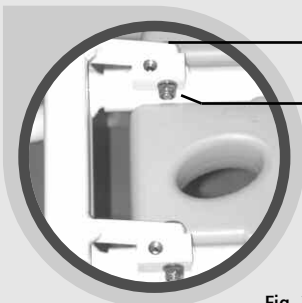


Fig. 3

M5x35 screw

M5 self-locking nut

Fasten seat backs behind backrest holder and seat back with plastic knob.

7. Installing the seat back

The seat back is positioned on the seat back holder (see Fig. 4) and fastened in the holes in the framework and seat back with the fastening buttons (see Fig. 5)



Fig. 4



Fig. 5

8. Adjustments

To adjust the Barbados loosen the threaded pins under the seat frame and pull the side sections out (see Fig. 6).

Caution! the red do marks the maximum width adjustment.

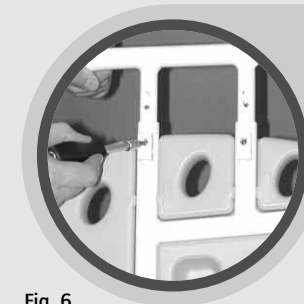


Fig. 6

9. Installing and removing the seat

The seat is locked to the seat frame by pressing it down forcefully (see Fig. 7). To remove the seat hold it by the side of the frame and pull the seat from the framebar.



Fig. 7

8. Cleaning and disinfecting the hanging seat

Clean and disinfect the seat with standard cleaners and disinfectants only.

9. Technical data

- Max. load capacity: 120 kg
- W/H/D (in mm): 690-790 / 520 / 430
- Weight: 4.3 kg.
- Seat width/depth: 400/400 mm
- Adjustment range: 590-690 mm
(inside dimensions of bath tub)
- Heat resistance: up to 125°C
- Colour: blue or white

10. Adjustment and repair tools

- 1 x Philips screwdriver
- 1 x Allen key no. 5

11. Marking of the product

An identification sticker is attached to the frame of the product with the product identification/ serial number/max. user weight/ company address.

12. Warranty

A warranty claim can only be accepted if the product is used under the specified conditions and for the specified purposes.

The product must be returned in the original packaging.

13. Standard equipment

- 1/1 x side section left/right
- 1 x B+B seat
- 1 x B+B back rest
- 1 x seat frame
- 2 x blind rivet (plastic white)
- 4 x M5 x 35 internal hex cylinderhead screws
- 8 x washer 5.3
- 4 x M5 hex nut